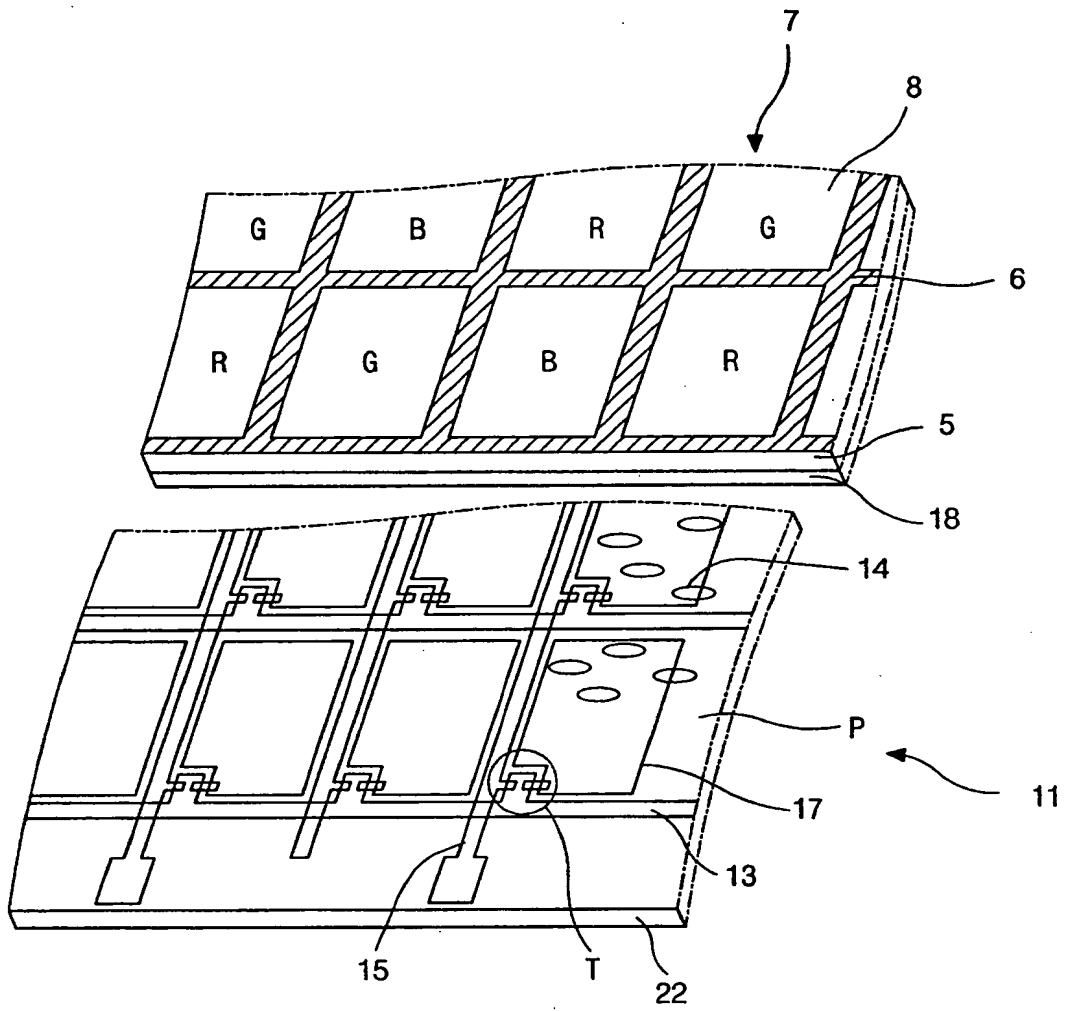
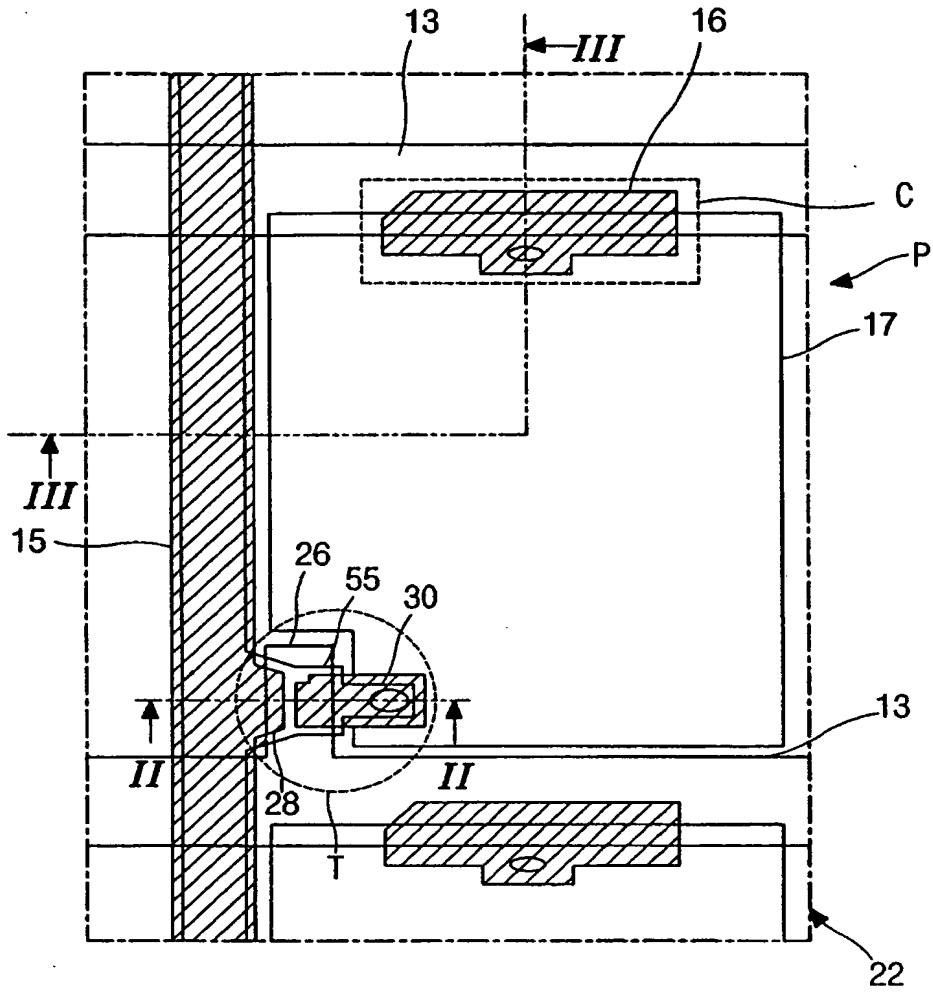


09885527 062101



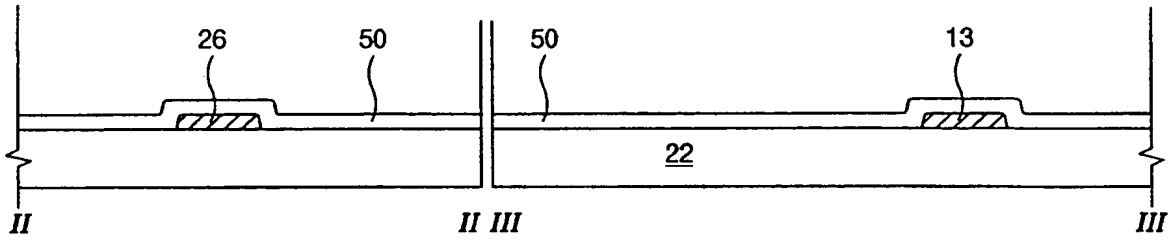
(related art)
FIG. 1

09885527.052101

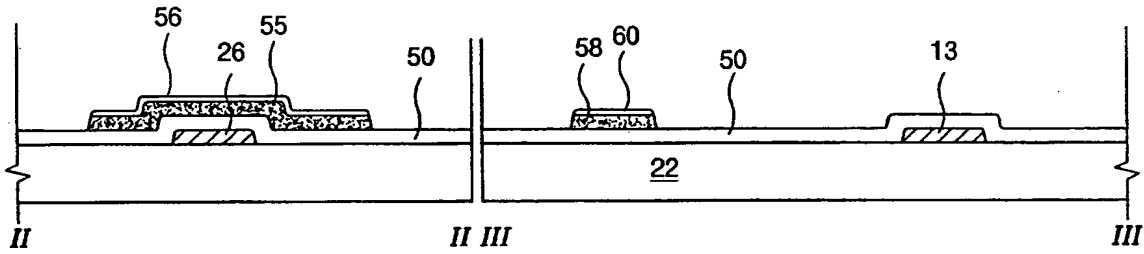


(related art)
FIG. 2

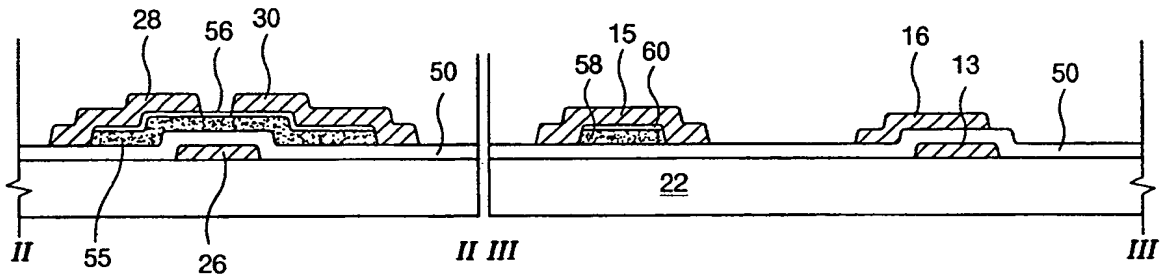
TOP SECRET



(related art)
FIG. 3A



(related art)
FIG. 3B



(related art)
FIG. 3C

FIG. 4

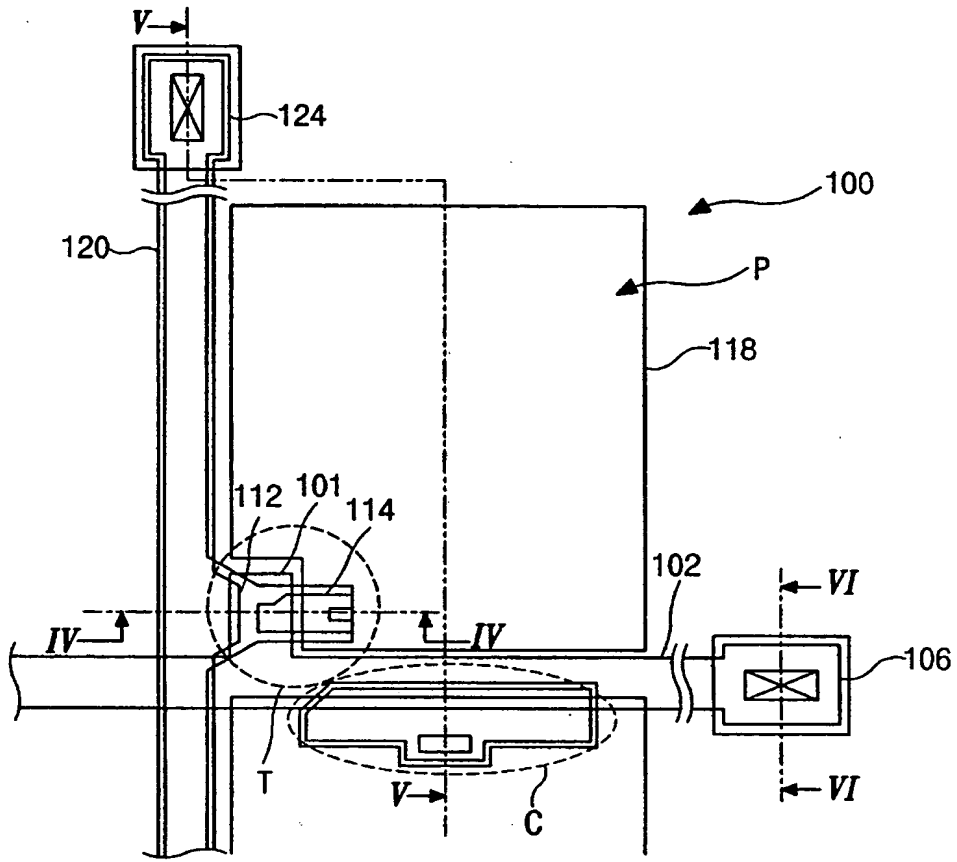


FIG. 4

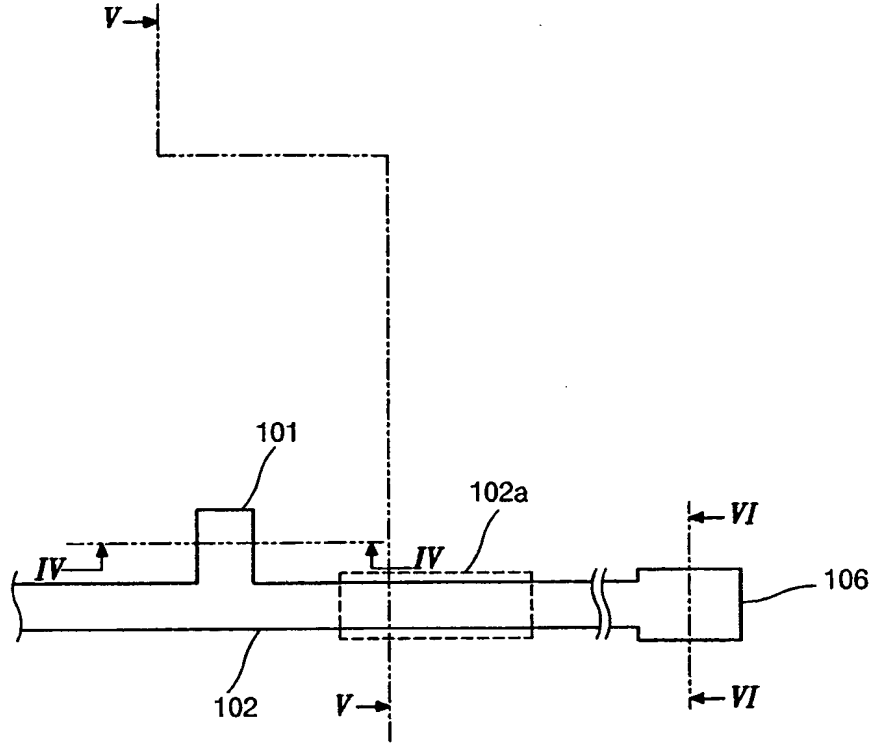


FIG. 5A

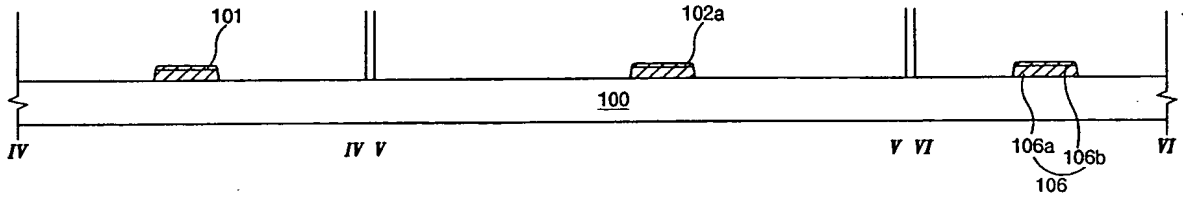


FIG. 5B

0985527 061101

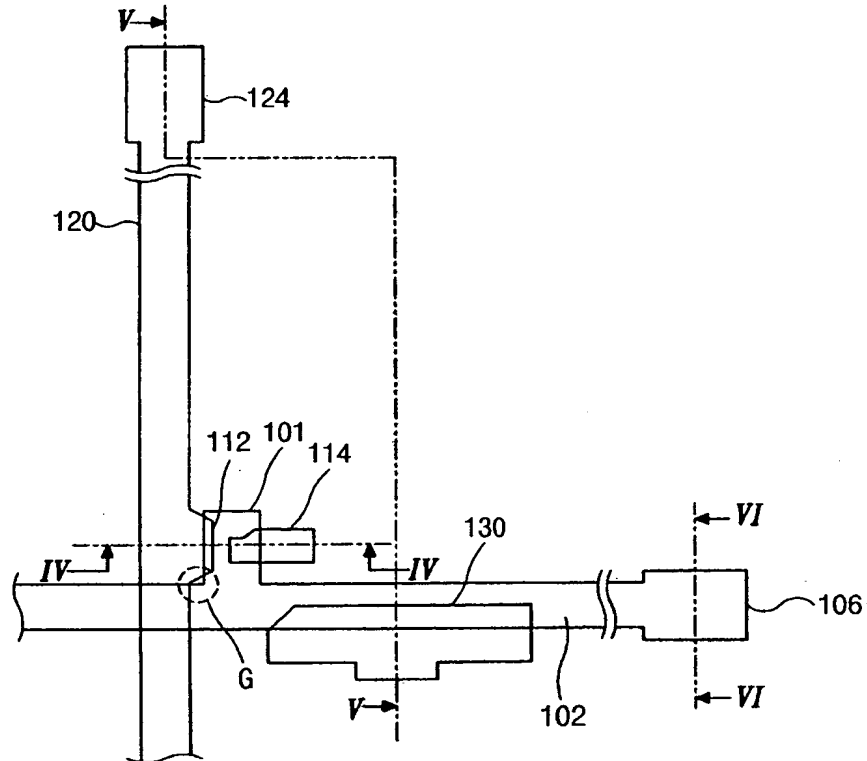


FIG. 6A

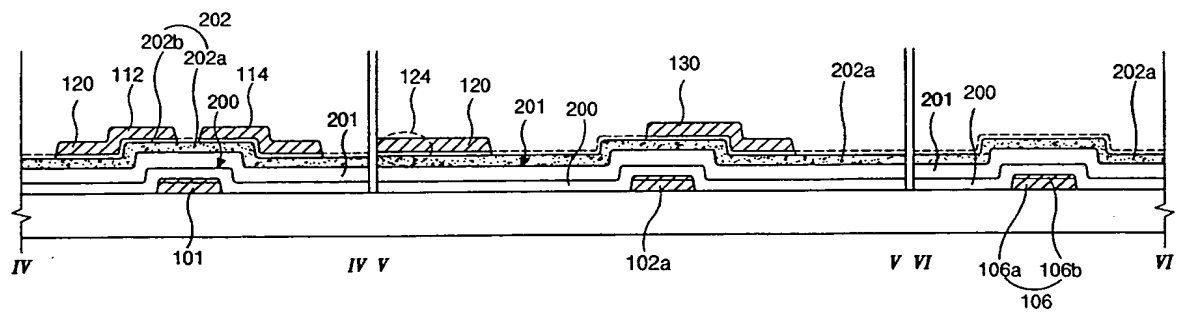


FIG. 6B

FOR 2590" 259860

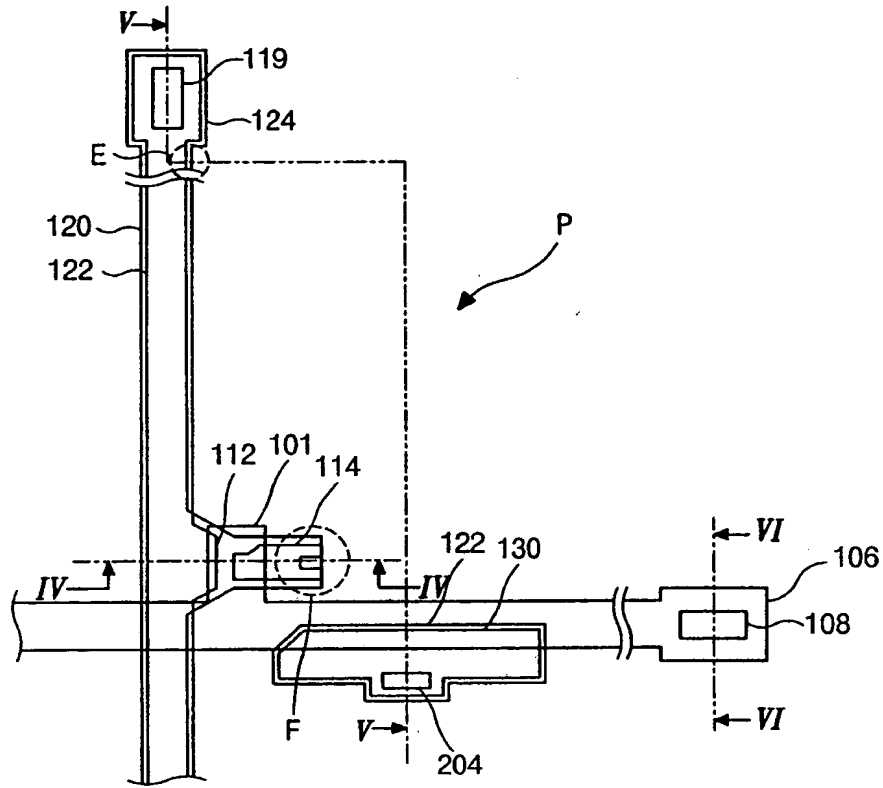


FIG. 7A

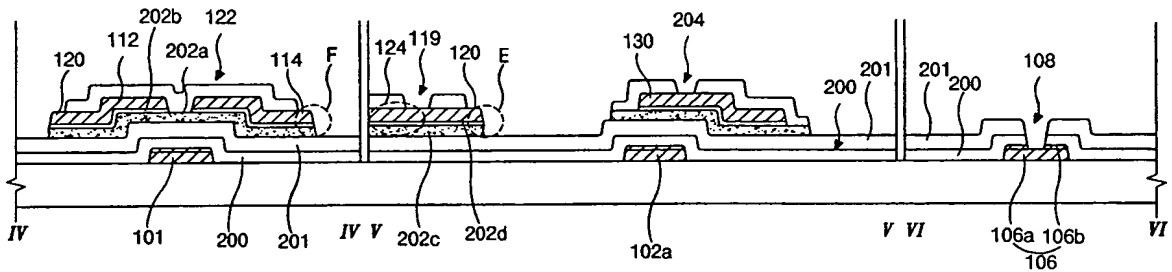


FIG. 7B

TOP SECRET

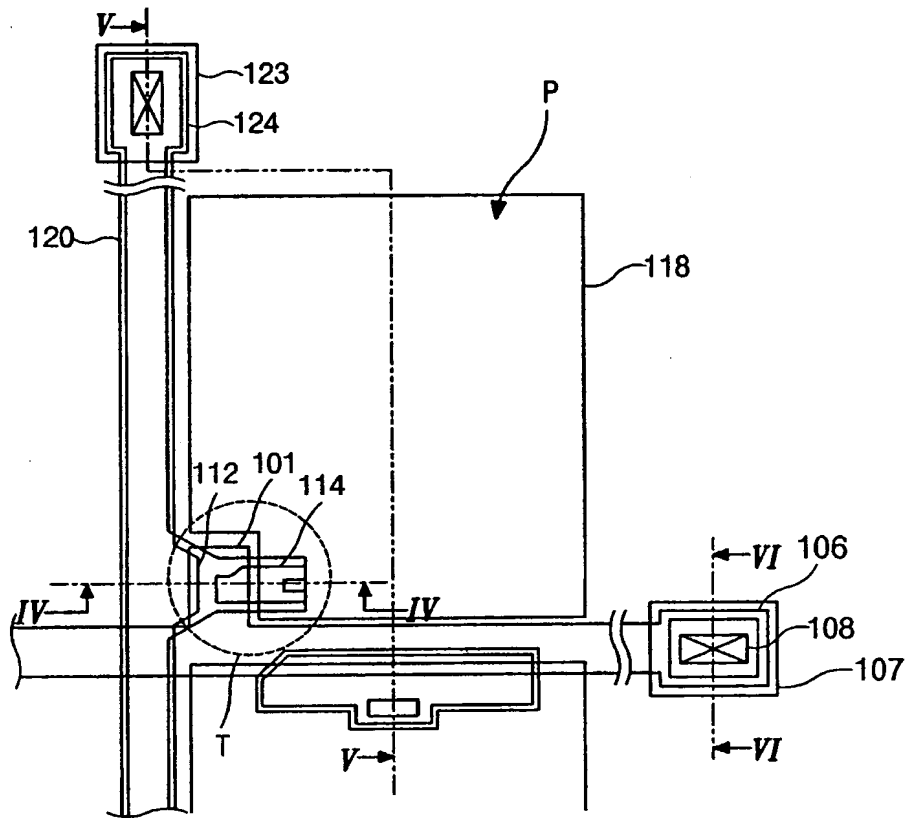


FIG. 8A

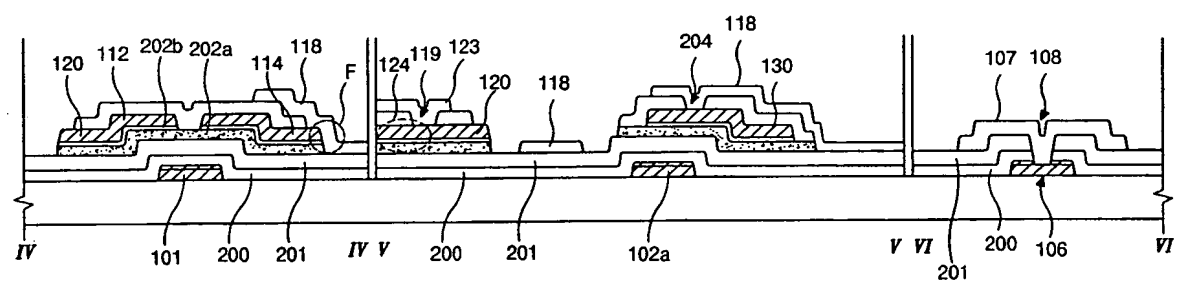


FIG. 8B

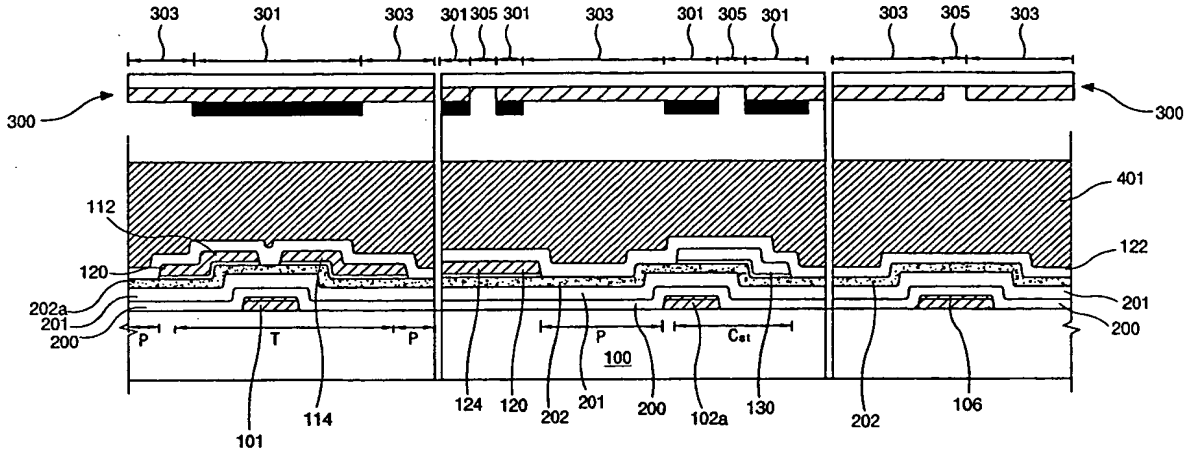


FIG. 10A

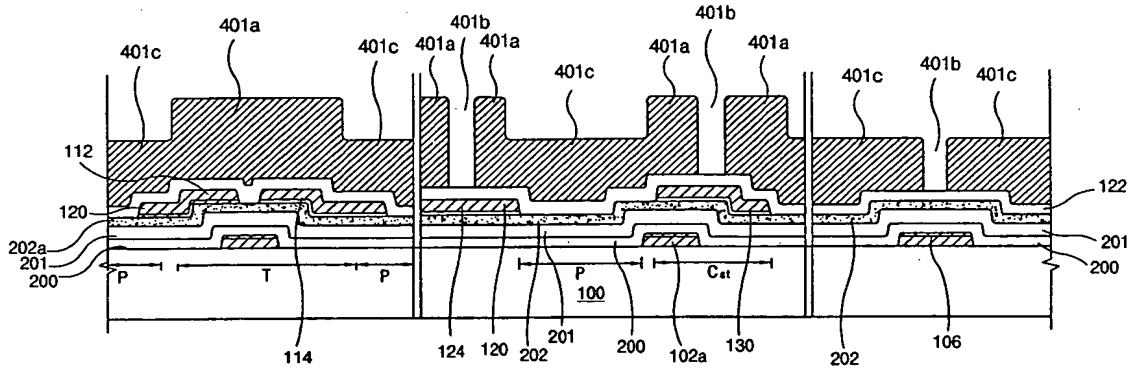


FIG. 10B

0985527 052101